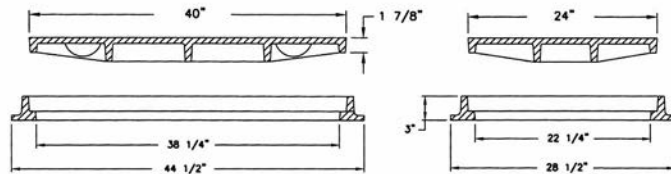


### V-6780 FRAME & COVER

Heavy duty

Options

Special lettered covers



### 7000 CATCH BASIN CURB INLET

Heavy duty

With Type M1 grate and T1 back

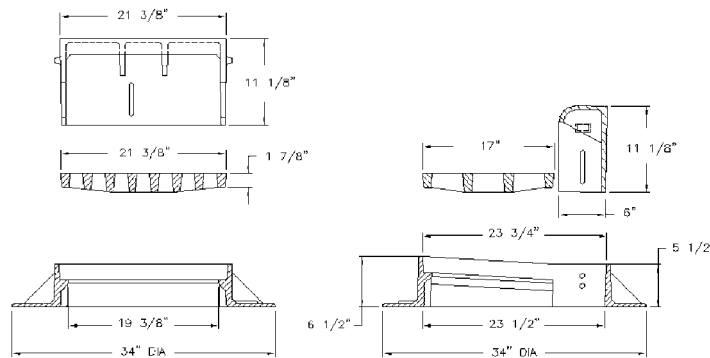
Approximate 135 sq. in. open area

Curb back height adjusts from 3" to 9"

"DUMP NO WASTE!" lettering  
and fish image on back

Options

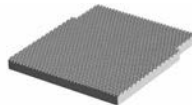
Height adjustable



**Type M2 Sinusoidal Grate**  
Approx. 150 sq. in. open area



**Type M3 Flat Grate**  
Approx. 195 sq. in. open area  
To be used without curb back



**Type M4 Restricted Grate**  
Approx. 6 sq. in. open area per knockout



**Type T2 Back**  
No Adjustment



**Type T3 Strainer Back**  
2" Curb Radius Height  
Adjusts 3" to 9"



**Type T4 Back**  
4" Curb Radius height  
Adjusts 3 3/4" to 8 1/4"